

REVISION RECORD				
REV	ECN	DESCRIPTION	DRFT	DATE
A0		NEW		20.12.02

NOTES1:
 UL Standard
 1. Rated voltage/current : 300V / 30A
 2. Withstanding voltage : AC1600V/1Min.

IEC Standard

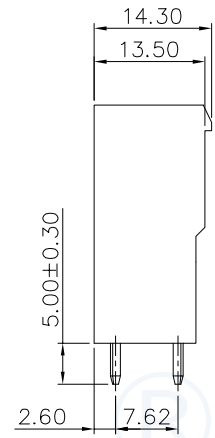
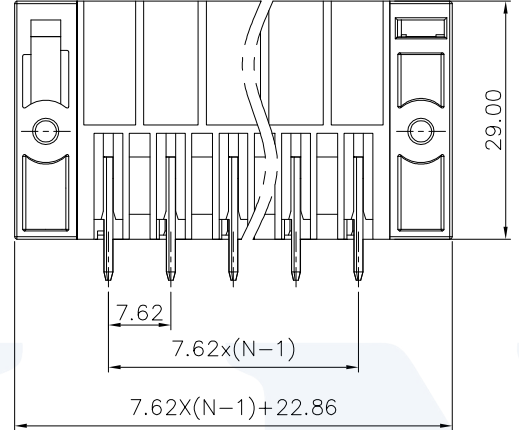
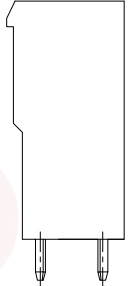
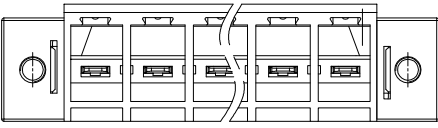
1.

Pollution degree	2
Overvoltage category	III
Rate impulse voltage(KV)	4KV
Rate voltage(V)	400V
Rate current(A)	32A

NOTES2:
 1. Dimension shall be interpreted per ASME Y14.5-2009
 2. Pitch : 7.62mm, Poles : N=02~12P
 3. Operating temperature: -30°C~+120°C
 4. Undimensioned tolerances:

Pitch range in mm		Nominal dimension range in mm						Tolerances	
TO	Over	TO	Over	TO	Over	TO	Over	0.1/10	
6	10	10	30	30	60	100	150	<	±'
±0.15	±0.20	±0.30	±0.30	±0.50	±0.70	±1.00	±1.30		±2'

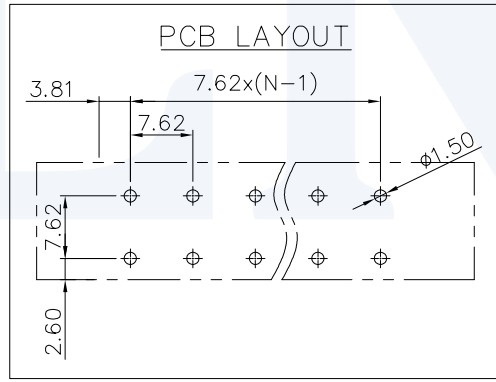
5. RoHS Compliance



Ordering Information

JL5EDGVM-762 XX G 0 1

Pitch 762=7.62PH
 No. of pins 2P,3P,4P~12P
 Housing Color B=Black, G=Green, U=Blue, R=Red, W=White, Y=Yellow, O=Orange, E=Grey
 Packing 0=Pe bag, T=Tube, A=Tray



DRAW	SHUANGPING ZHENG	SCALE	FIT	东莞市锦凌电子有限公司 DONGGUAN JINLING ELECTRONIC CO.,LTD	
		UNIT	mm		
CHECK	LICHAD LIU	SIZE	A4		
		SHEET	1/1		
APPROVE	YONGLIANG GAO	PROJ.		PART NO.	JL5EDGVM-762XXG01
		TITLE:		JL5EDGVM-7.62-XXP 插拔式公座/绿色	