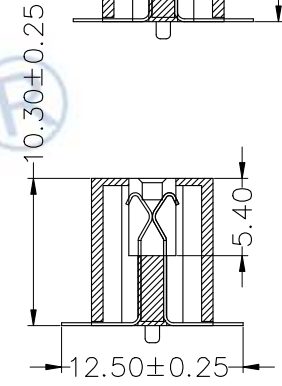
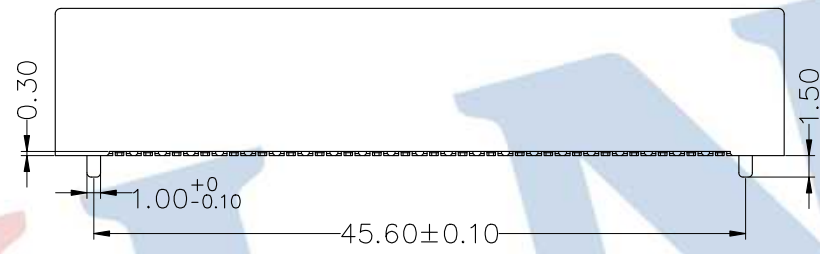
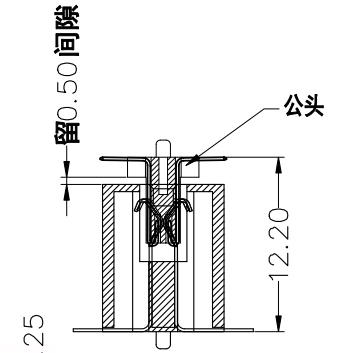
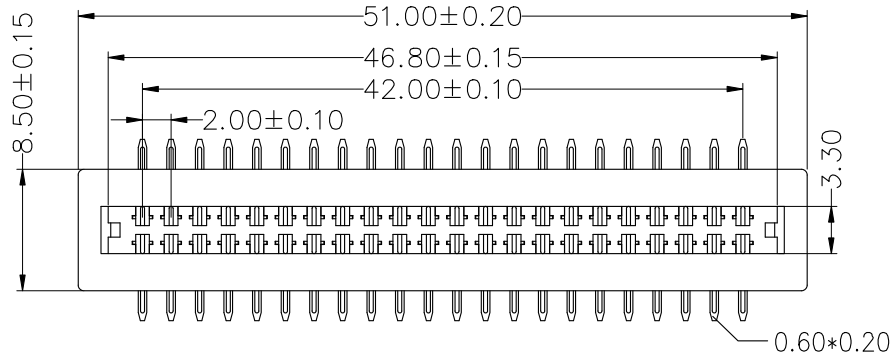


HSF RoHS

SPECIFICATIONS

Rated Current: 2.0AMP
 Contact Resistance: 20mΩ Max
 Withstand Voltage: 500V AC/DC
 Insulation Resistance: 500MΩ Min
 Operation Temperature: -40°C to +105°C

Contact Material: Phosphor bronze
 Contact Plating: Au or Sn Over Ni
 Insulator Material: Polyester (UL94V-0)
 Resistance To Soldering Heat:
 260°C ± 5°C, 10s (PA9T insulator)

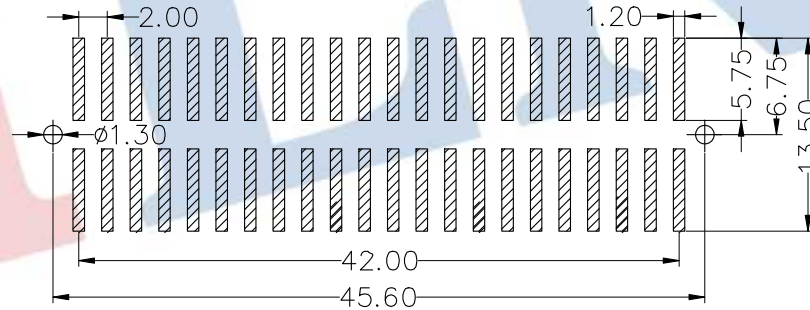


Ordering Information

4400- 2 22 M XX F E B W 0 X

No. of Pins
2x22P

Contact Plating
 G0: Gold Flash
 G1: 1U" Gold
 G2: 2U" Gold
 G3: 3U" Gold
 G4: 5U" Gold
 G5: 10U" Gold



Recommended P.C.B Layout (Top Side)
 (PCB BOARD TOLERANCE ± 0.05)

				OPERATION		DRAW	Ben	17.04.17	SCALE	FIT	JILN ® 深圳市锦凌电子有限公司 SHENZHEN JINLING ELECTRONICS CO.,LTD Tel: 86-755-27483253 Fax: 86-755-2997-5588	
				X.X	± 0.30				UNIT	mm		
				X.XX	± 0.20	CHECK			SIZE	A4	PART NO.	4400-222MXXFEBW0X
				X.XXX	± 0.10				SHEET	1/1	TITLE:	2.0金手指连接器 2X22P 母座H10.3 SMT 带柱
REV	DATE	MODIFICATION DESCRIPTION	CHANGE	DIM	TOL	APPROVE			PROJ.			