

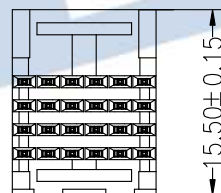
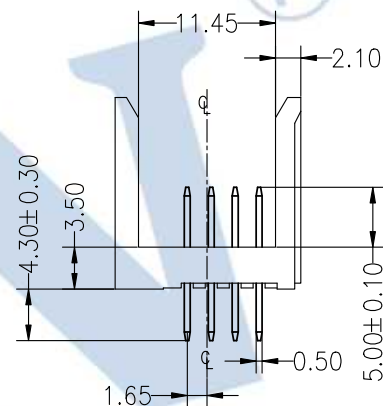
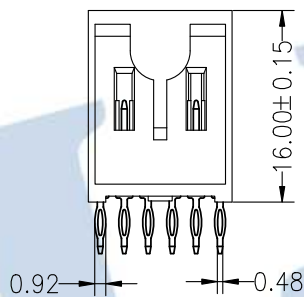
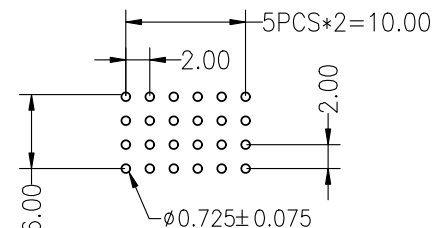
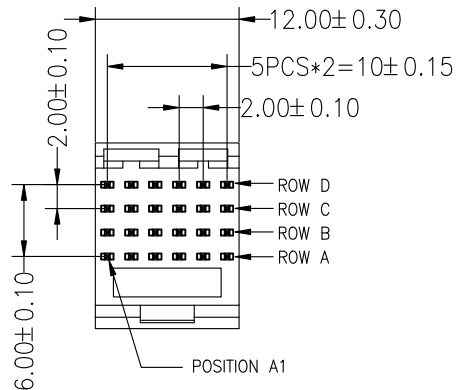


SPECIFICATIONS

Rated Current:1.0AMP
 Contact Resistance:30mΩ Max
 Withstand Voltage:500V AC/DC
 Insulation Resistance:1000MΩ Min
 Operation Temperature:-40°C to +105°C

Contact Material:Brass
 Contact Plating:Au or Sn Over Ni
 Insulator Material:Polyester(UL94V-0)
 Resistance To Soldering Heat:
 260°C±5°C, 10s(LCP insulator)

Recommended P.C.B Layout(Top Side)
 (PCB BOARD TOLERANCE±0.05)



Ordering Information

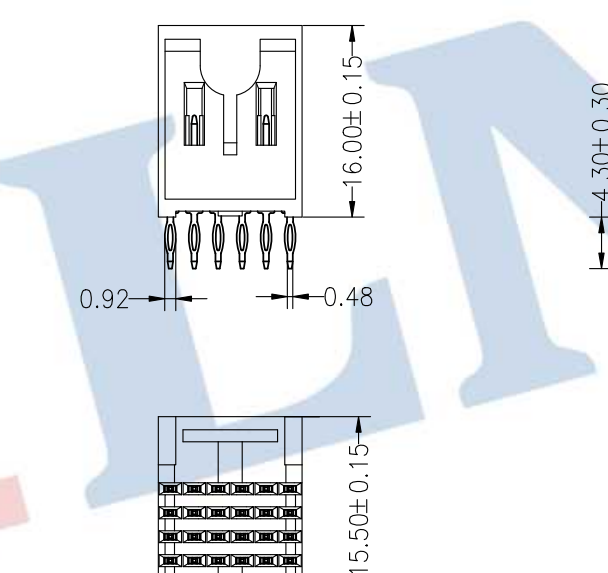
3510 4 24 A M S XX PN X X

No. of Pins
24P

Contact Type
F:Female
M:Male

Contact Plating
G0:Gold Flash
S0:Gold Flash/Tin
S1:2U" Gold/Tin
S2:5U" Gold/Tin
S3:10U" Gold/Tin
S4:15U" Gold/Tin
S5:30U" Gold/Tin
SN:Tin

Packing
A:Tray
T:Tube



				OPERATION		DRAW	YiYuSheng	19.09.21	SCALE	FIT	JILN ® 深圳市锦凌电子有限公司 SHENZHEN JINLING ELECTRONICS CO.,LTD Tel: 86-755-27483253 Fax: 86-755-2997-5588		
				X.X	±0.30				UNIT	mm			
				X.XX	±0.20	CHECK		SIZE	A4	PART NO.			3510424AMSXXPNXX
A0	2019.09.21	NEW DRAWING		X.XXX	±0.10	APPROVE		SHEET	1/1	TITLE:			FUTURE BUS,4*6 Male 180°,PRESS-FIT
REV	DATE	MODIFICATION DESCRIPTION		CHANGE	DIM	TOL		PROJ.					