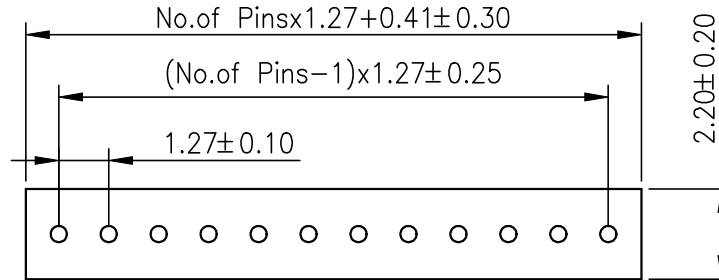


Technical Specs:

Insulator: Black glass filled polyester PPS-GF30-FR
Flammability: UL 94V-O
Sleeve: Brass
Accepted pin: Ø0.41 mm
Mechanical life: min500 cycles
Rated current: 1A
Dielectric resistance: Min 1000V RMS
Coplanarity SMD terminations: max 0.1 mm(measured on 25 mm long connectors)



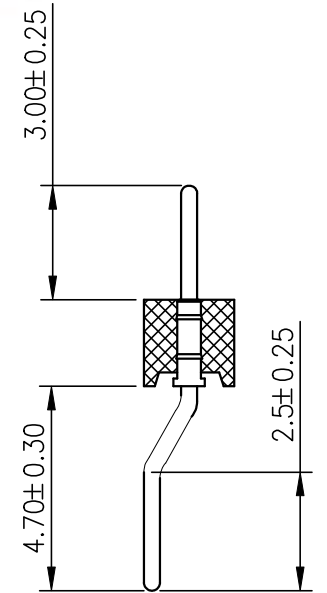
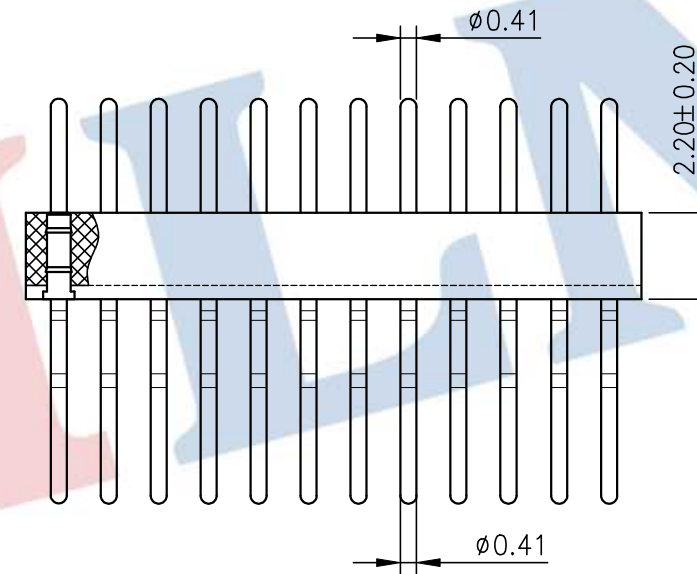
Ordering Information

3614 22 1 XX Z XX 101 0 X

Plastics Height
 16=1.6mm
 22=2.2mm
 No. of Pins Per Row
 1X50

Contact Plating
 SN: Tin
 G0: Gold Flash
 G2: 2U" Gold
 G3: 3U" Gold
 G4: 5U" Gold
 G5: 10U" Gold
 S0: Gold Flash/Tin
 Standard: G0

Pin Length
 101=10.1mm



		OPERATION		DRAW	YiYuSheng	12.07.23	SCALE	FIT
		X.X	±0.30					
		X.XX	±0.20	CHECK			UNIT	mm
		X.XXX	±0.10				SIZE	A4
A0	2012.07.23	NEW DRAWING		APPROVE			SHEET	1/1
REV	DATE	MODIFICATION DESCRIPTION	CHANGE				DIM	TOL

JILN® 深圳市锦凌电子有限公司
 SHENZHEN JINLING ELECTRONICS CO.,LTD
 Tel: 86-755-27483253 Fax: 86-755-2997-5588

PART NO.	3614221XXZXX1010X
TITLE:	1.27X2.2 Machine Pin Header 90° SMT L=10.1mm