

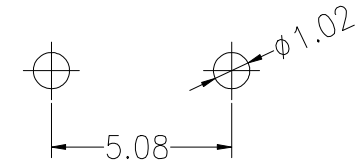
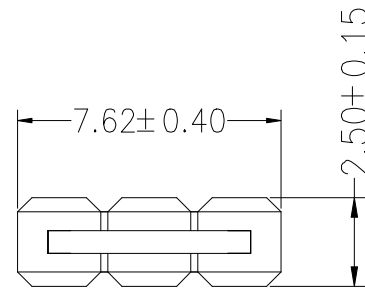


SPECIFICATIONS

Rated Current:3.0AMP
 Contact Resistance:20mΩ Max
 Withstand Voltage:1000V AC/DC
 Insulation Resistance:1000MΩ Min
 Operation Temperature:-40°c to +105°c

Contact Material:Brass
 Contact Plating:Au Over Ni
 Insulator Material:Polyester(UL94V-0)
 Resistance To Soldering Heat:
 245° C±5° C, 10s(PBT insulator)
 260° C±5° C, 10s(PA6T&PA9T&LCP insulator)

Recommended P.C.B Layout(Top Side)
 (PCB BOARD TOLERANCE±0.05)



Ordering Information

1225 1 1 03 X N XX U XXX X XX

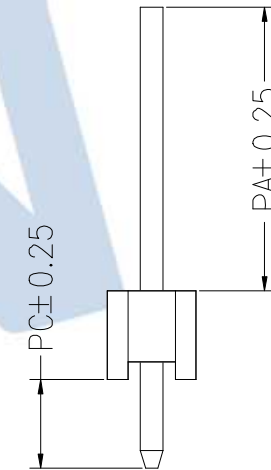
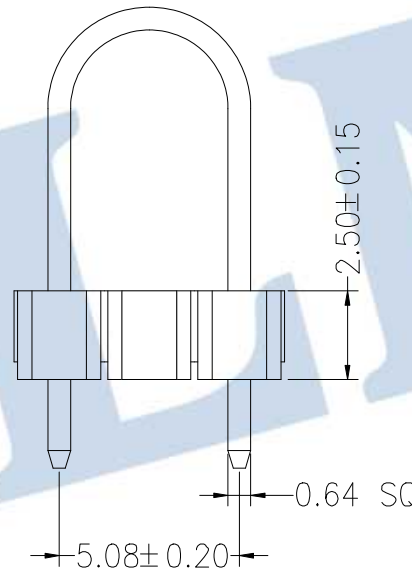
Insulator Material Option
 A=BK-PBT
 C=BK-PA6T
 E=BK-PA9T
 F=BK-LCP

Contact Plating
 G0:Gold Flash
 G1:1u" Gold
 G2:1.5u" Gold
 G3:2u" Gold
 G4:3u" Gold
 G5:5u" Gold
 G6:10u" Gold
 G7:15u" Gold
 G8:30u" Gold
 S0:Gold Flash/Tin
 SN:Tin

Pin Length

Packing
 0=PE Bag
 A=Tray

Series No.
 01~99



Dimension antitheses list		
ITEM	PA	PC
Alternate	XXX	XXX

REV	DATE	MODIFICATION DESCRIPTION	CHANGE	OPERATION		DRAW	RICH LIN	23.06.10	SCALE	FIT
				DIM	TOL					
A0	2023.06.10	NEW DRAWING		X.X	±0.30	CHECK			UNIT	mm
				X.XX	±0.20				SIZE	A4
				X.XXX	±0.10				SHEET	1/1
				Angle	±3°	APPROVE			PROJ.	

JILN 深圳市锦凌电子有限公司
 SHENZHEN JINLING ELECTRONICS CO.,LTD
 Tel: 86-755-27483253 Fax: 86-755-2997-5992

PART NO.	12251103XNXXUXXXXXX
TITLE:	2.54mm Pin Header 2型针